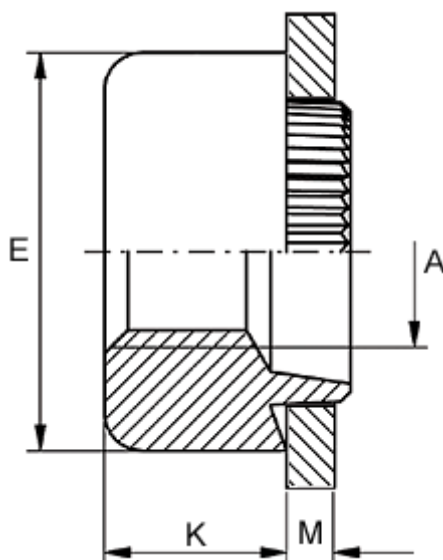


Article number: 12711000035800

Description: KLEE-coil 711 000 035.800
M3,5 Brass

Measures



Female thread A	= M3,5
Height K	= 4.0
Outer diameter E	= 10.0
Plate thickness	= 2.9 to 3.1
Recommended bore diameter for extreme load	= 7.0
Recommended bore diameter for normal use	= 7.0